



# CSB-20T /CSB-40T

## Surface Mount Speakers

### Features

- 20W - 40W
- 3" - 4" full range transducer
- 70V, 100V
- EN 54-24

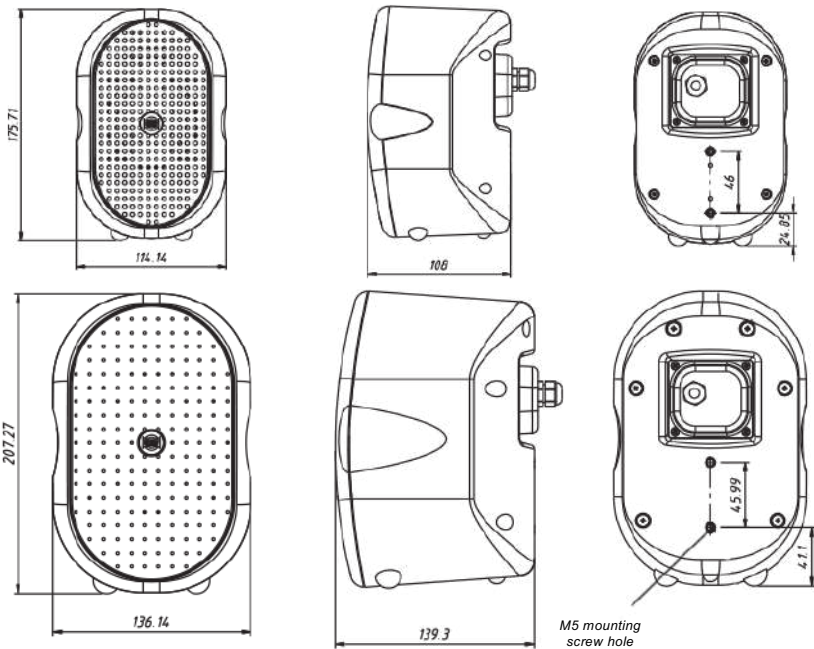
CSB-20T and CSB-40T are design and compact surface mount speakers to broadcast speech and music. They are EN 54-24 certified, so they can be used for voice alarm installations. The speakers are equipped respectively with a 3" and 4" full range transducers. With 20W and 40W power, both models offer optimal performances for any kind of application. They integrate high impedance outputs for 100V and 70V installations. The built-in transformer gives the choice of three or four power levels depending on the model. Made of ABS resin the cabinet is scratch and shock resistant.



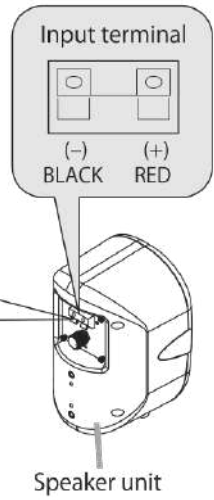
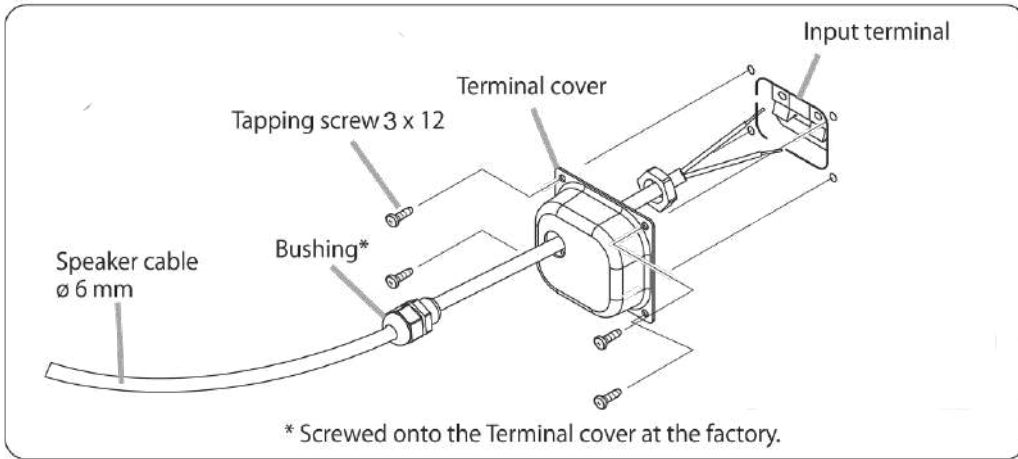
### Specifications

| MODEL                         | CSB-20T  | CSB-40T                     |
|-------------------------------|--|-----------------------------|
| <b>System type</b>            | Surface Mount Speaker  |                             |
| <b>Standard</b>               | European Standard EN 54-24 /2008; Certification no. 1438-CPR-0606            |                             |
| <b>Environment Type</b>       | Loudspeaker for voice alarm systems for fire detection and fire alarm system |                             |
| <b>Transducers</b>            | Type A (Indoor applications)   |                             |
| <b>Rated Noise Power</b>      | 1 x 3" full range speaker  | 1 x 4" full range speaker   |
|                               | 20W  | 40W                         |
|                               | (100V and 70V line)  | (100V and 70V line)         |
| <b>Frequency Response</b>     | 132Hz - 20kHz  | 100Hz - 20kHz               |
|                               | (100V line)  |                             |
|                               | 500Ω (20W)   | 250Ω (40W)                  |
|                               | 1kΩ (10W)  | 500Ω (20W)                  |
|                               | 2kΩ (5W)   | 1kΩ (10W)                   |
| <b>Rated Impedance</b>        |  |                             |
|                               | (70V line)   |                             |
|                               | 245Ω (20W)   | 122Ω (40W)                  |
|                               | 500Ω (10W)   | 250Ω (20W)                  |
|                               | 1kΩ (5W)   | 500Ω (10W)                  |
|                               | 2kΩ (2.5W)   | 1kΩ (5W)                    |
|                               | (Bypass)   |                             |
|                               | 4 Ω  | 8 Ω                         |
| <b>Sensitivity</b>            |  |                             |
|                               | (500Hz - 5kHz pink noise)  |                             |
|                               | 82dB (1W, 1m)  | 86dB (1W, 1m)               |
|                               | (100Hz - 10kHz pink noise, according to EN54-24)                             |                             |
|                               | 70dB (1W, 4m)  | 74dB (1W, 4m)               |
|                               | (100Hz - 10kHz pink noise, converted based on EN54-24)                       |                             |
|                               | 82dB (1W, 1m)  | 86dB (1W, 1m)               |
| <b>Max SPL</b>                |  |                             |
|                               | (Rated noise power, according to EN54-24)                                    |                             |
|                               | 83dB (20W, 4m)   | 90dB (20W, 4m)              |
|                               | (100Hz - 10kHz pink noise, converted based on EN54-24)                       |                             |
|                               | 95dB (20W, 1m)   | 102dB (20W, 1m)             |
| <b>Coverage Angle (-6db)</b>  |  |                             |
|                               | Horizontal   |                             |
|                               | 360° (500Hz)   | 360° (500Hz)                |
|                               | 220° (1kHz)  | 220° (1kHz)                 |
|                               | 127° (2kHz)  | 120° (2kHz)                 |
|                               | 96° (4kHz)   | 87° (4kHz)                  |
|                               | Vertical   |                             |
|                               | 360° (500Hz)   | 360° (500Hz)                |
|                               | 214° (1kHz)  | 214° (1kHz)                 |
|                               | 149° (2kHz)  | 116° (2kHz)                 |
|                               | 126° (4kHz)  | 99° (4kHz)                  |
| <b>Operating Temperature</b>  | -10°C to +50°C   |                             |
| <b>Speaker Component</b>      | 3" (77 x 77mm) paper cone  | 4" (106 x 106mm) paper cone |
| <b>Applicable cable</b>       | Solid wire: diam. 0.8mm (18AWG) UL2464                                       |                             |
| <b>Cable Connection</b>       | Push-in terminals (steatite) x 2 with 6mm speaker cable and fire proof cover |                             |
| <b>Finish</b>                 | Enclosure : ABS + PC, black or white   |                             |
|                               | Mesh speaker grill : surface-treated steel plate, black or white paint       |                             |
|                               | Speaker wall bracket : surface-treated steel plate, black or white paint     |                             |
|                               | Joint bracket, screws and stainless steel cable                              |                             |
| <b>Weight</b>                 | 1.4 kg   | 2.5 kg                      |
| <b>Dimensions (W x D x H)</b> | 115 x 107 x 175 mm   | 136 x 140 x 206 mm          |
|                               | 4.5" x 4.2" x 6.9"   | 5.35" x 5.51" x 8.11"       |

CSB-20T / 20TW



CSB-40T / 40TW



CSB-20T / 20TW

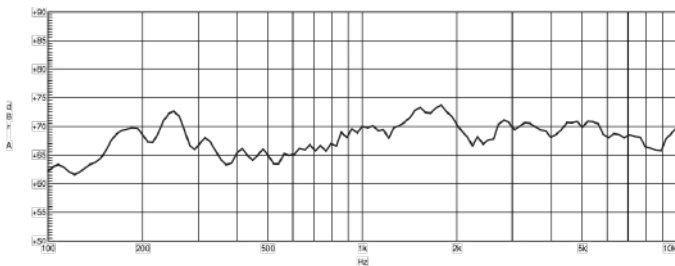
| 70V  |      | OFF | 245Ω | 500Ω | 100V |   |
|------|------|-----|------|------|------|---|
| Ω    | W    | 4Ω  | 1KΩ  | 500Ω | Ω    | W |
| 245Ω | 20W  |     |      | 500Ω | 20W  |   |
| 500Ω | 10W  |     |      | 1KΩ  | 10W  |   |
| 1KΩ  | 5W   |     |      | 2KΩ  | 5W   |   |
| 2KΩ  | 2.5W |     |      |      |      |   |

CSB-40T / 40TW

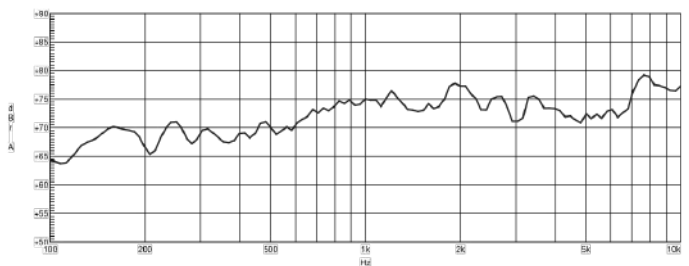
| 70V  |     | OFF | 122Ω | 250Ω | 100V |   |
|------|-----|-----|------|------|------|---|
| Ω    | W   | 6Ω  | 500Ω | 250Ω | Ω    | W |
| 122Ω | 40W |     |      | 250Ω | 40W  |   |
| 250Ω | 20W |     |      | 500Ω | 20W  |   |
| 500Ω | 10W |     |      | 1KΩ  | 10W  |   |
| 1KΩ  | 5W  |     |      |      |      |   |

Frequency Response, 1W, 4m

CSB-20T / 20TW



CSB-40T / 40TW



SEIKAKU TECHNICAL GROUP LIMITED

NO.1 LANE 17, SEC.2, HAN SHI WEST ROAD, TAICHUNG 40151 TAIWAN

Tel: +886-4-22313737 Fax: +886-4-22346757 www.seikaku.hk