

## HY-TM7B-WP

### SPEAKER RIGGING BRACKET



The HY-TM7B-WP Speaker Rigging Bracket is used to suspend the HX-7B-WP Speaker System directly from ceilings, beams or other building structures. This bracket is designed for outdoor use.

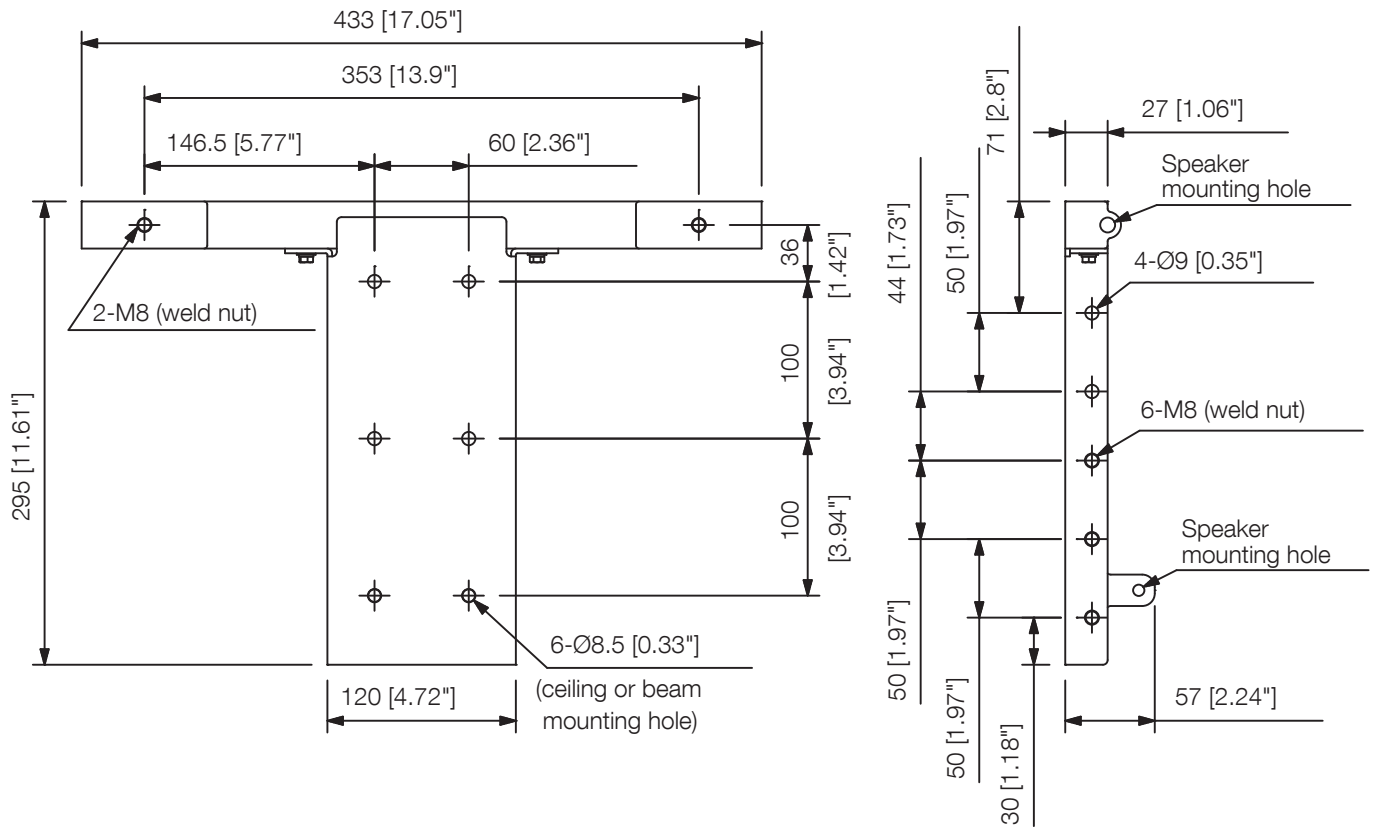
### Key features

- outdoor use

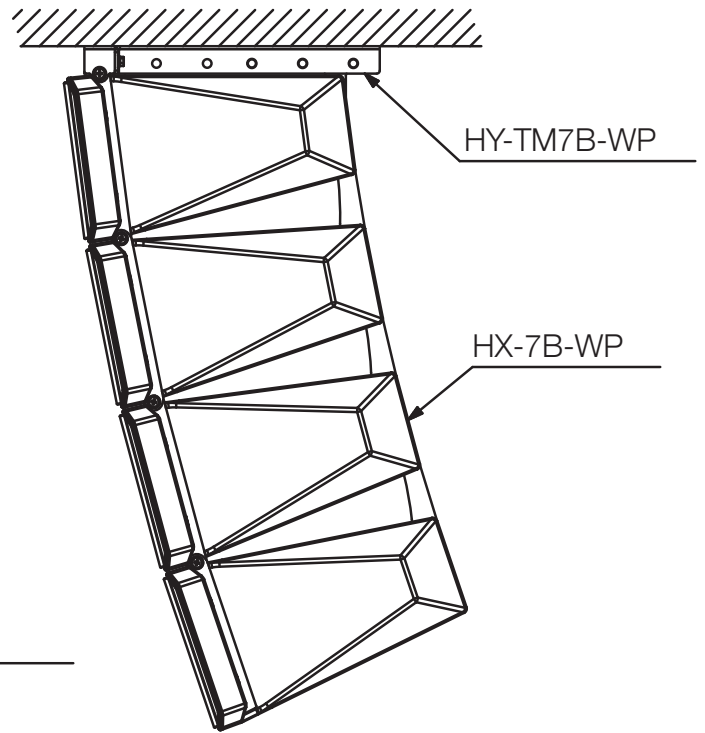
## Specifications

Finish	Stainless steel, black, semi-gloss, paint
Dimensions	433 (W) x 57 (H) x 295 (D) mm (17.05 x 2.24" x 11.61")
Weight	2.5 kg (5.51 lb)
Included Accessories	Speaker mounting bolt ...1 set

## Dimensions



## Dimensions



Speaker mounting example (scale: 1/10)

UNIT:mm

SCALE:1/5

## A&E specifications

\*UNDEFINED TEXT\*