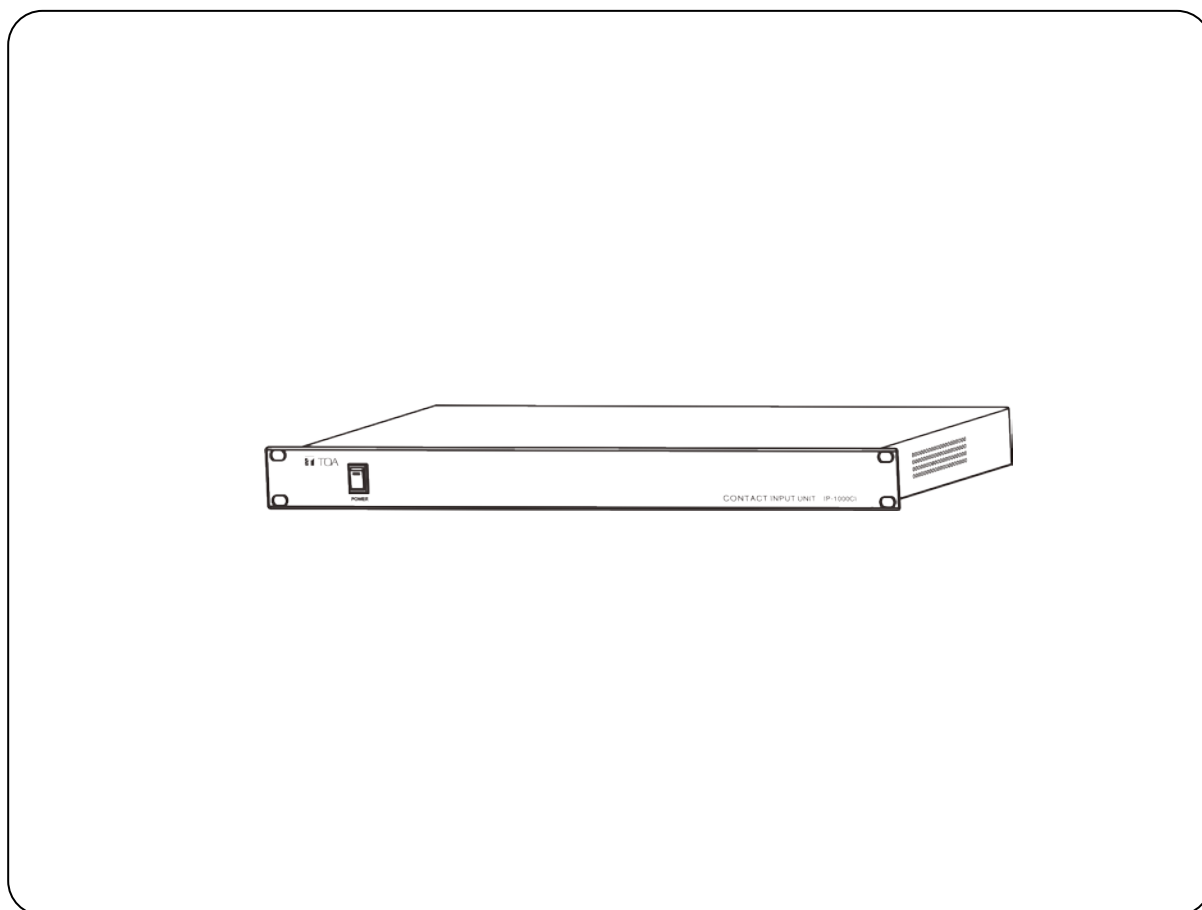




User's Manual

Network Control Input Unit

IP-1000CI



Thanks for your purchase of TOA products IP-1000 series.

Please read the manual carefully to ensure the machine operating in long time and fault-free.

TOA Corporation

Chapter 1

Safety precaution


Chapter 1: safety precaution

Please abide by the warning and the relevant safety tips.

Please take this manual in convenient place after you reading the guide for future reference.

Warning

 The sign means there is potential safety hazard, when operate wrong may result in death or serious injury.

 The sign is used to remind the user that attached is the important operation and maintenance data.

(1) Avoid getting the device wet.

Do not make the machine wet or expose to rain water or other liquid contamination of the environment, or lead to fire or get an electric shock.

(2) Do not use unspecified voltage.

Using the marked voltage on the machine.

Using more than the logo of voltage could lead to fire or shock.

(3) Do not scratch the power cord.

Do not scratch the power cord or cut it.

Simultaneously, keep the power line far way from heated objects, put heavy things on it will lead to fires or electric shock.

Using machine

(1) In case of the anomalies

Please turn off the power supply immediately when finding the abnormal phenomena, please connect with the agency. If you continue to using the equipment, it is likely to catch on fire or resulted in electric shock.

·The smoke or smell of the machine.

·The inside of the machine is flooded by water or external intrusion.

·Machine falling or machine case damage.

·The power cord damage (wire core is exposed of broken, etc)

·Malfunction (e.g. no network connection, no sound etc.)

(2) Do not open the machine internal or modify the machine.

Do not external substance getting into the equipment.

Please do not put any metallic or inflammable objects into the machine, otherwise it may cause fires or electric shock.

(3) Please do not touch it during thundering

To avoid electric shock, please do not touch the machine and the plug during lightning, etc.

(4) Please do not place containers with liquid or small metal objects on the machine above.

If containers drop and liquid get into to the machine that will likely catch fires or cause electric shock.

(5) Do not open the machine internal or modify the machine.

The machine internal contains high voltage parts, once open the cover or modify the machine, it may result in fires or cause shock. All the maintenance and other machine modification should be operated by professional personnel.

(6) Maintenance and the precautions for not using in a long time.

While maintenance, if the machine is not been used for 10 days or more, please turn off power supply switch for safety. If do not comply with this provision, it will likely cause electric shock or fires.

Chapter 2

Products description

Chapter 2: products description

2.1Summary

2.1Summary

IP-100CI is an IP control input unit, which is used for receiving alarm signal from fire center and trigger to broadcasting warning announcement.

- ◆ High speed industrial grade dicaryon ARM+DSP chip, starting time $\leq 3s$.
- ◆ 32 alarm input interfaces, 8 short circuit output interfaces.
- ◆ Using any network control input unit to extend the interface of the system.
- ◆ Automatically sending alarm signal to the server and executing broadcasting task (support one zone/ all zones alarm).
- ◆ Alarm sound files are pre-recorded in the server, without "the alarm generator" is ok.
- ◆ Accessing to the Ethernet, and it is supporting crossing network segment and router.

Chapter 2: products description

2.2 Interface description

2.2 Interface description

2.2.1 Front view

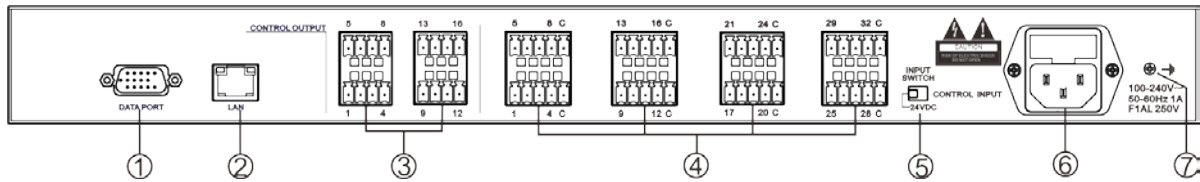


① POWER: power switch and power indicator light.

Chapter 2: products description

2.2 Interface description

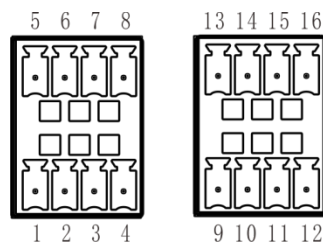
2.2.2 Rear view



①DATA PORT: data upgrade interface, it's used for firmware upgrade.

②LAN: RJ45 network interface, and it connect with Ethernet switch.

③Alarm output terminal: provide 8-way switching value (Stem node) signal, the interface is normally open contact, the contact capacity is DC24V/1A.



1、 2: Alarm out 1

9、 10: Alarm out 5

3、 4:Alarm out 2

11、 12:Alarm out 6

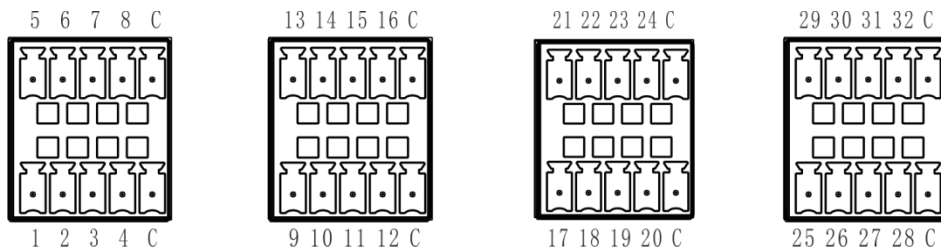
5、 6:Alarm out 3

13、 14:Alarm out 7

7、 8: Alarm out 4

15、 16:Alarm out 8

④Alarm input terminal: provide 32-way alarm signal input ,the interface can be setting as switching value input/ voltage input by the "INPUT SWITCH", when it pill to "SHORT CIRCUIT IN" is switching value input; When pull to "24DC" is voltage input, the control voltage range is DC12V~DC24V.



1-4: Alarm input 1-4

17-20: Alarm input 17-20

5-8: Alarm input 5-8

21-24:Alarm input 21-24

9-12: Alarm input 9-12

25-28: Alarm input 25-28

13-16: Alarm input 13-16

29-32: Alarm input 29-32

C: Negative terminal of common port/ voltage input

⑤Change-over switch: to control the alarm input terminal, it can directly converting between the switching value and voltage input.

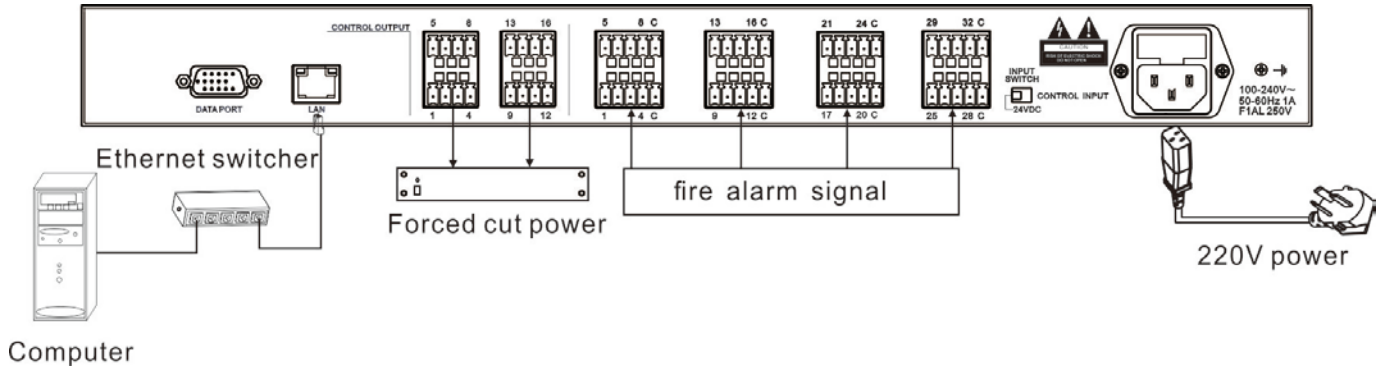
⑥220AC IN: power input interface, suitable voltage range is AC185~260V/50HZ.

⑦GND port

Chapter 3

Wiring

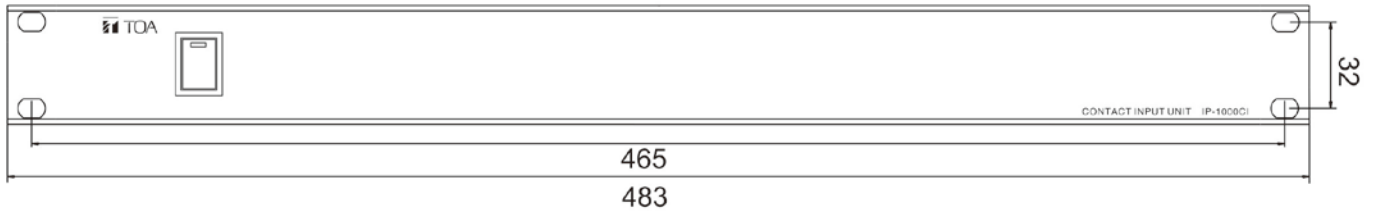
3.1 IP-1000CI Wiring diagram



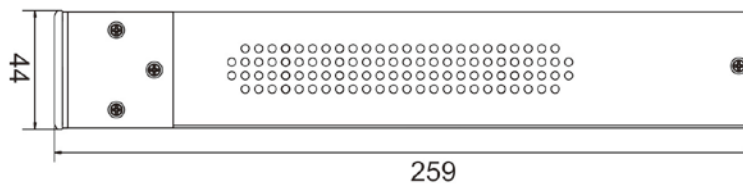
Chapter 3: wiring

3.2 Reference size

3.2 Reference size (unit: mm)



Front view



Side view

Chapter 4

Operating description

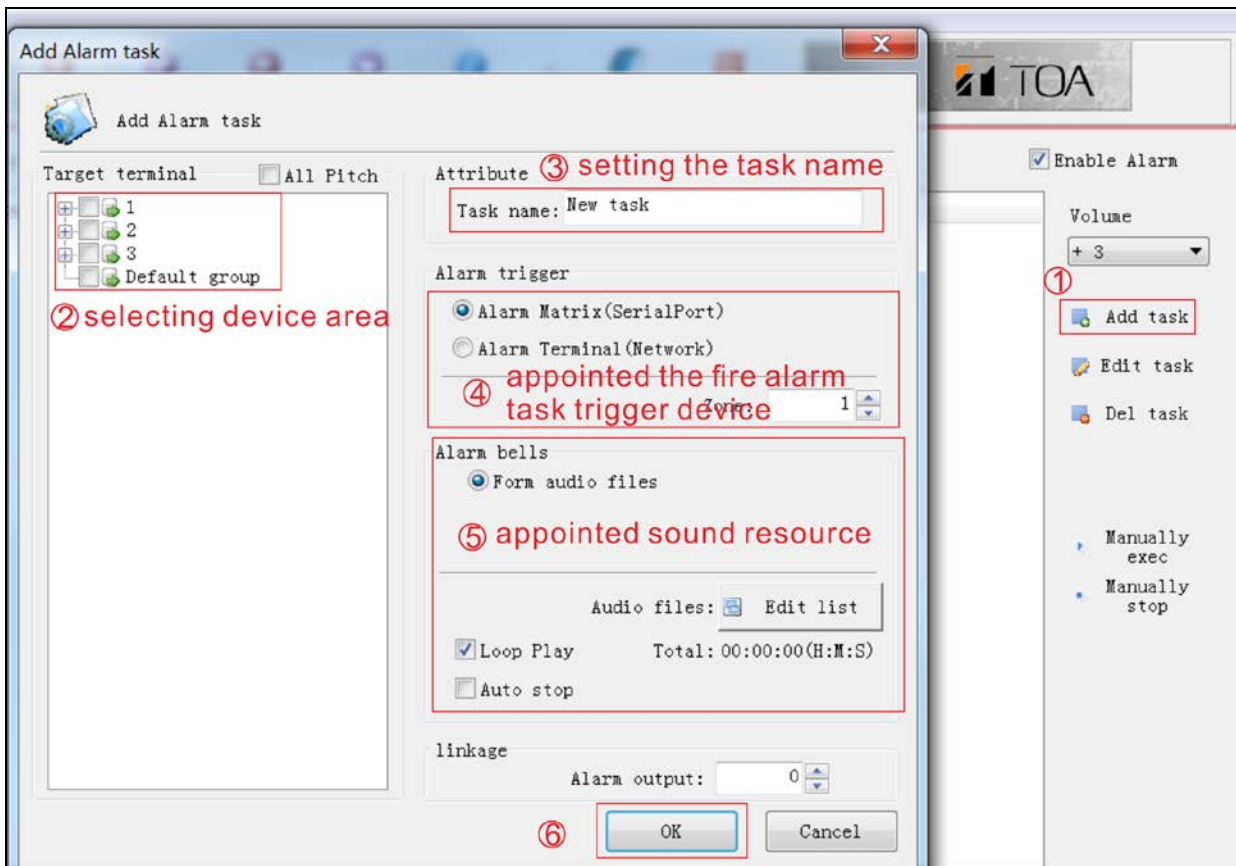
Chapter 4: operating description

4.1 Fire alarm

4.1 Fire alarm

After adding the fire alarm task in the server, and after the task was triggered, it will automatically broadcast the specified audio program by server.

Please add the fire alarm task to the server according to the following steps.



Chapter 5

Appendix

Chapter 5: appendix

5.1 Specification

5.1.1 Network Control Input Unit IP-1000CI

Model number	IP-1000CI
Suitable voltage	AC185V~260V
Suitable mains frequency	50~60Hz
Functional unit terminal	Alarm output terminal Alarm input terminal Power input terminal Data upgrade terminal Network input terminal
Network protocol	TCP/IP、UDP、ARP、ICMP、IGMP protocol
Network chip rate	10/100Mbps self-adaption
Color	Black
accessories	4P connecting terminals(4PCS) 5P connecting terminals (8PCS) Power line (3*1.0mm ² /1.5m) (1PC)

